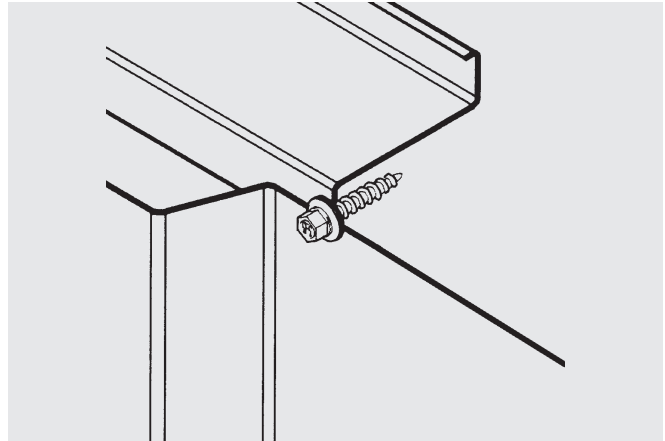


#14 Type A 304SS Self-tapping Metal to Metal Fastener



Features and Benefits

- Zinc plated 304 stainless steel for lubricity
- Available with no sealing washer or with stainless bond seal washer
- Long lengths available for specialty applications

Application

Metal panel to light gauge metal application for use in highly corrosive environments

Product Selection

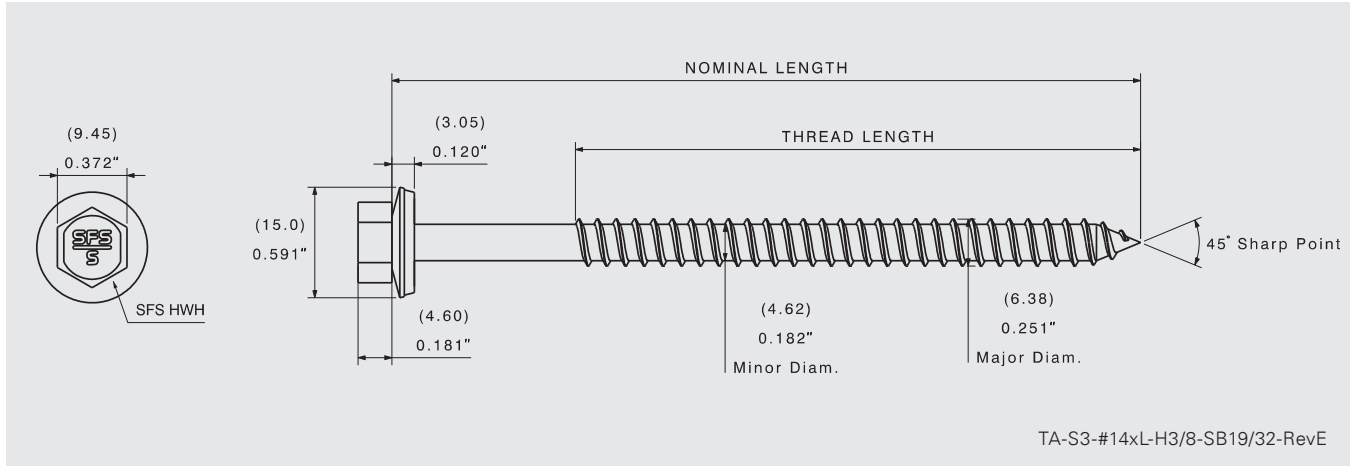
Material No.		Fastener Length		Thread Length*	Min Load Bearing Length		Max Load Bearing Length		Description	Ctn Wt. (lbs.)	Ctn Qty.	
No washer	W/washer	in	mm		in	mm	in	mm				
1297631	790380	3/4"	19	Full	n/a	n/a	0.25"	6	TA-S3-#14x3/4-H3/8	SB19/32	33	2,500
1202586	790396	1"	25	Full	n/a	n/a	0.50"	13	TA-S3-#14x1-H3/8	SB19/32	40	2,500
1202718	790432	1-1/4"	32	Full	n/a	n/a	0.75"	19	TA-S3-#14x1-1/4-H3/8	SB19/32	36	2,000
1203238	790443	1-1/2"	38	Full	n/a	n/a	1.00"	25	TA-S3-#14x1-1/2-H3/8	SB19/32	40	2,000
1297696	790470	2"	51	Full	n/a	n/a	1.50"	38	TA-S3-#14x2-H3/8	SB19/32	25	1,500
1203520	790489	2-1/2"	64	Full	n/a	n/a	2.00"	51	TA-S3-#14x2-1/2-H3/8	SB19/32	30	1,000
1305078	790513	3"	76	Full	n/a	n/a	2.50"	64	TA-S3-#14x3-H3/8	SB19/32	26	1,000
1203570	790527	3-1/2"	89	3"	0.80"	20	3.00"	76	TA-S3-#14x3-1/2-H3/8	SB19/32	28	750
1203596	790533	4"	102	3"	1.30"	33	3.50"	89	TA-S3-#14x4-H3/8	SB19/32	21	500
1203625	790548	5"	127	3"	2.30"	58	4.50"	114	TA-S3-#14x5-H3/8	SB19/32	26	500
1203648	790556	6"	152	3"	3.30"	84	5.50"	140	TA-S3-#14x6-H3/8	SB19/32	28	500
1507824	790561	7"	178	3"	4.30"	109	6.50"	165	TA-S3-#14x7-H3/8	SB19/32	20	250
1297745	790566	8"	203	3"	5.30"	135	7.50"	191	TA-S3-#14x8-H3/8	SB19/32	22	250

Plain product bulk carton packed.

*Note – Thread length measured from tip of point to top of the threads.



#14 Type A 304SS Self-tapping Metal to Metal Fastener



Product Specifications

Diameter: #14 (6.38 mm)
 Threads Per Inch: 10
 Head Style: 3/8" dia. HH AF (9.45 mm)
 Washer: 19/32" stainless and EPDM bond seal (15 mm)

Drill Point: Type A
 Drill Capacity: 0.044"–0.075" (1.12 mm–1.91 mm)
 Thread Major Dia: 0.251" (6.38 mm)
 Thread Minor Dia: 0.182" (4.62 mm)

Performance Data^{1,2,3}

Material Strength

Tensile	3200 lbf / 14240 N
Shear	1450 lbf / 6453 N
Torsional	125 lbf·in / 14.12 N·m

Pull Out Strength Steel

16 Ga (1.5 mm)	1110 lbf / 4938 N
14 Ga (1.9 mm)	1232 lbf / 5480 N

Pull Over Strength Steel

26 Ga (0.5 mm)	648 lbf / 2882 N
24 Ga (0.6 mm)	908 lbf / 4038 N
22 Ga (0.8 mm)	1258 lbf / 5595 N

¹ Pull out values based on 45 ksi cold formed sheet steel.

² SFS [5008.13]

³ PLK 10703

Installation and Application Considerations

Tools: 0–1000 rpm screw gun equipped with depth sensing nose piece.

The hole size determines installation performance and pull out strength. Thickness is based on normal, single thickness purlin/girt or multiple material thickness combined for total.

Use of impact guns or hammer drills is not recommended.

Fastener length should provide for a minimum of 3/16" penetration of fully developed threads into metal substrate.

Metal thickness	Drill bit size
0.021"–0.026" (0.53 mm–0.66 mm)	1/8" (3.18 mm)
0.027"–0.050" (0.69 mm–1.27 mm)	3/16" (4.75 mm)
0.051"–0.075" (1.29 mm–1.9 mm)	#8 (5.05 mm)